



ZHEJIANG UNIÜ-NE Technology CO., LTD

浙江宇力微新能源科技有限公司



## U1001 Data Sheet

V 1.1

版权归浙江宇力微新能源科技有限公司

# Independent Single-Channel Gate Driver

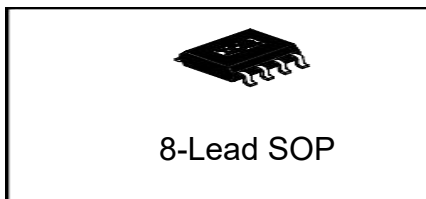
## General Description

The U1001 is high voltage, high speed power MOSFET and IGBT driver with dependent high and low side referenced output channels. Proprietary HVIC and latch immune CMOS technologies enable ruggedized monolithic construction. The logic input is compatible with standard CMOS or LSTTL output, down to 3.3V logic. The output drivers feature a high pulse current buffer stage designed for minimum driver cross-conduction. The floating channel can be used to drive an N-channel power MOSFET or IGBT in the high side configuration which operates up to 30 volts.

## Key Features

- Floating channel designed for bootstrap operation
- Built IN SD Function
- Tolerant to negative transient voltage dV/dt immune
- Gate drive supply range from 2.8 to 30V
- Undervoltage lockout
- 3.3V, 5V input logic compatible
- Cross-conduction prevention logic
- Internally set deadtime
- High side output in phase with input
- Shut down input turns off both channels
- Matched propagation delay for both channels

## Packages



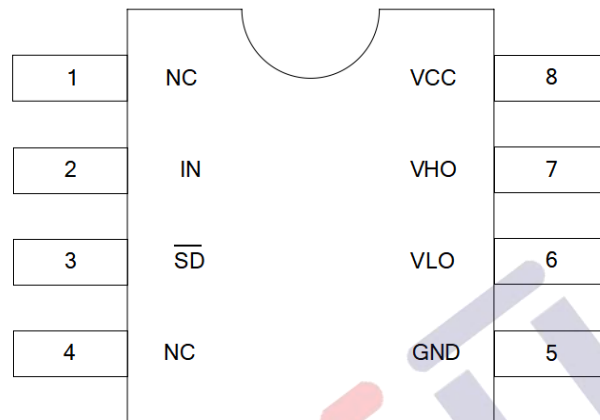
## Product Summary

V <sub>OFFSET</sub>	30V max
I <sub>O+/-</sub>	1.2A / 1.5A
V <sub>CC</sub>	8V ~ 30V
Work Tem	-40 ~150 °C

## Products Information

Base Part Number	Package Type	Standard OUT		V <sub>OFFSET</sub>	Logic Control
		IO+	IO-		
U1001	SOP8	1.2A	1.5A	30V	IN & $\bar{S}\bar{D}$

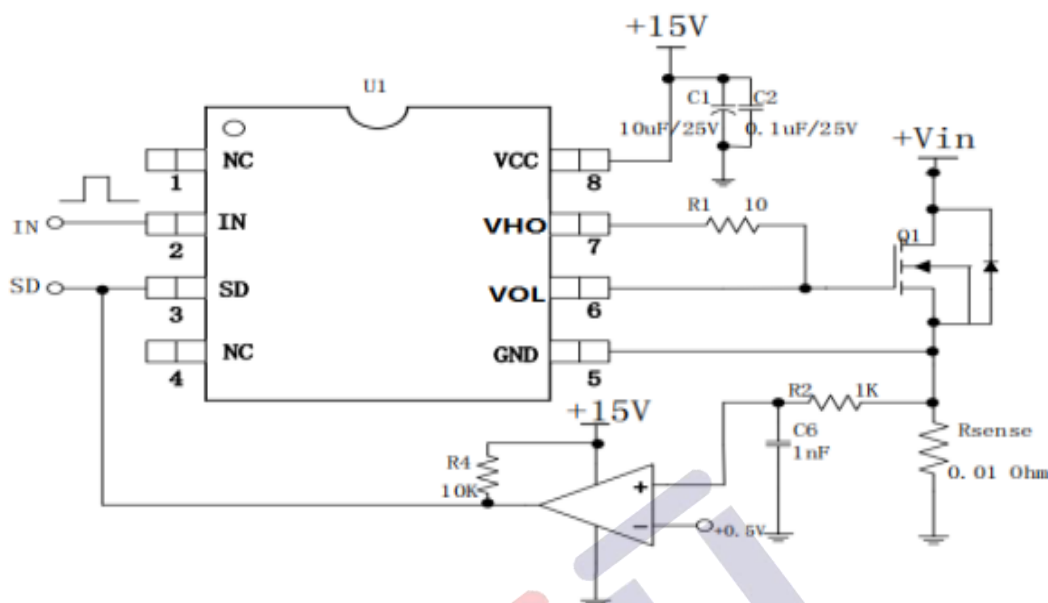
## Pin Assignments



## Pin Function

Number	Symbol	Description
8	VCC	Low side and logic fixed supply
2	IN	Logic input for high and low side gate driver outputs
3	$\overline{SD}$	Logic input for shutdown
5	COM	GND
6	VLO	Low side gate drive output
4	NC	
7	VHO	High side gate drive output
1	NC	

## Typical Application



## Absolute Maximum Ratings

Absolute maximum ratings indicate sustained limits beyond which damage to the device may occur. All voltage parameters are absolute voltages referenced to COM. The thermal resistance and power dissipation ratings are measured under board mounted and still air conditions.

Symbol	Definition	Min.	Max.	Units
VHO	High side floating output voltage	-0.3	35	V
VCC	Low side and logic fixed supply voltage	-0.3	35	
VLO	Low side output voltage	-0.3	35	
VIN	Logic input voltage (IN)	-0.3	35	
SD	Logic input voltage (SD)	-0.3	7	
dVS/dt	Allowable offset supply voltage transient	—	50	V/ns
P <sub>D</sub>	Package power dissipation @ TA ≤+25°C (8 lead SOIC)	—	0.625	W
R <sub>thJA</sub>	Thermal resistance, junction to ambient (8 lead SOIC)	—	200	°C/W
T <sub>J</sub>	Junction temperature	—	150	°C
T <sub>S</sub>	Storage temperature	-55	150	
T <sub>L</sub>	Lead temperature (soldering, 10 seconds)	—	300	

## 1.版本记录

DATE	REV.	DESCRIPTION
2018/04/19	1.0	First Release
2020/05/21	1.1	Change the package

## 2.免责声明

浙江宇力微新能源科技有限公司保留对本文档的更改和解释权力，不另行通知! 客户在下单前应获取我司最新版本资料，并验证相关信息是否最新和完整。量产方案需使用方自行验证并自担所有批量风险责任。未经我司授权，该文件不得私自复制和修改。产品不断提升，以追求高品质、稳定性强、可靠性高、环保、节能、高效为目标，我司将竭诚为客户提供性价比高的系统开发方案、技术支持等更优秀的服务。

版权所有 浙江宇力微新能源科技有限公司/绍兴宇力半导体有限公司

## 3.联系我们

浙江宇力微新能源科技有限公司

总部地址：绍兴市越城区斗门街道袍渎路25号中节能科创园45幢4/5楼

电话：0575-85087896（研发部）

传真：0575-88125157

E-mail: htw@uni-semic.com

无锡地址：无锡市锡山区先锋中路6号中国电子（无锡）数字芯城1#综合楼503室

电话：0510-85297939

E-mail: zh@uni-semic.com

深圳地址：深圳市宝安区西乡街道南昌社区宝源路泳辉国际商务大厦410

电话：0755-84510976

E-mail: htw@uni-semic.com